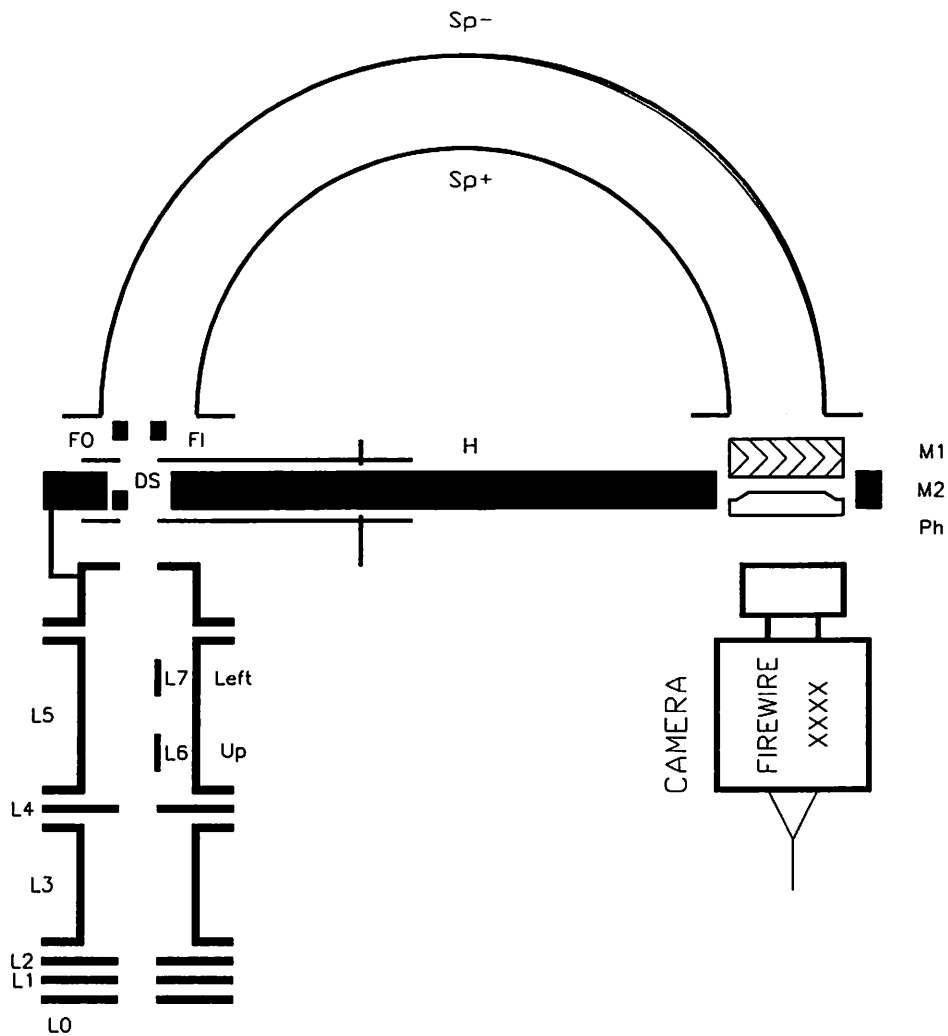


REV.	ANDRZEJ WISER	SIGN.	DATA
------	---------------	-------	------



SES100
BLOCK DIAGRAM
SYSTEM
DRAWING

ARTICLE NUMBER 1ES220	DRAWING NUMBER h1-1a.dwg	
DESIGNER / Cornelis Gortzak	INITIALS / XX	BLAD / X
DATE / 2006-12-20	REV. / X	PORTUGAL / X



This document must not be copied without our written permission and the contents thereof must not be imparted to a third party nor be used for any unauthorized purpose. Contravention will be prosecuted.

Rev.	Change description	Sign.	Date



SES100
BLOCK DIAGRAM
INSTRUMENT
DRAWING

Project No.	Drawing No.	
1ES220	h1-2a.dwg	
Design Cornelis Gortzak	Approved XX	Issue X
Date 2006-12-20	Revision X	Continues X

+JA

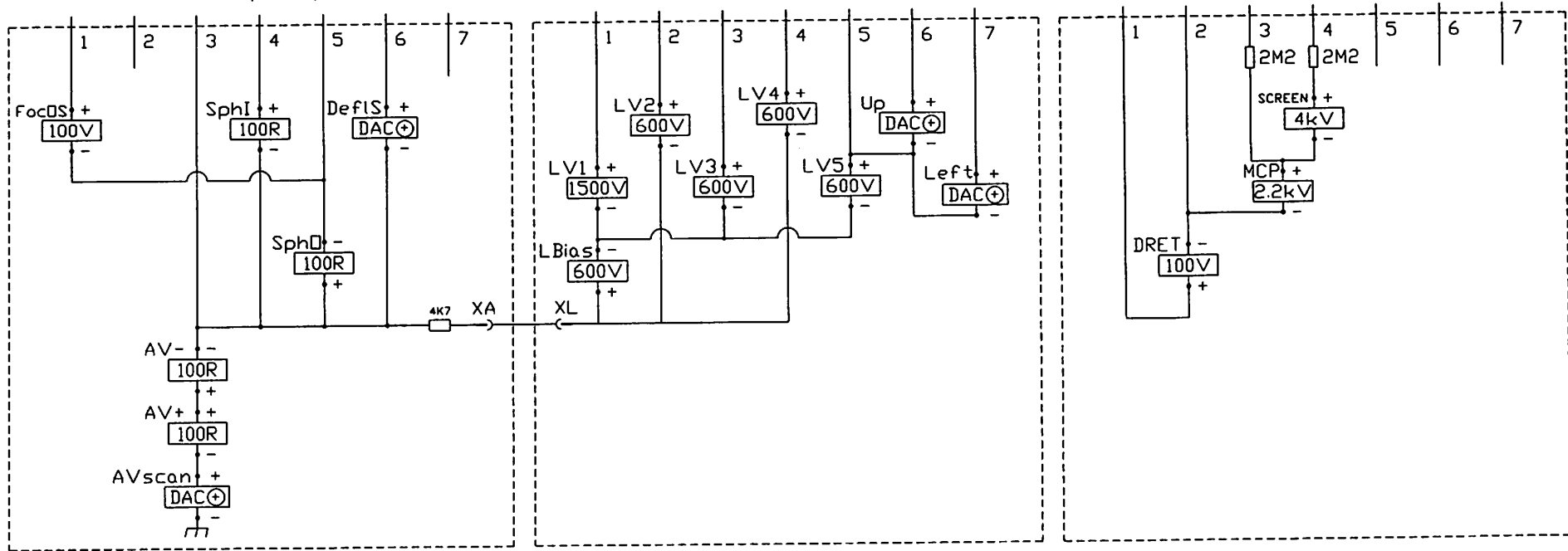
+JL

+JD

F0 H Sp+Sp- DS

L1 L2 L3 L4 L5 L6 L7

H M1 M2 Ph



This document must not be copied without our written permission and the contents thereof must not be imparted to a third part nor be used for any unauthorized purpose. Contravention will be prosecuted.

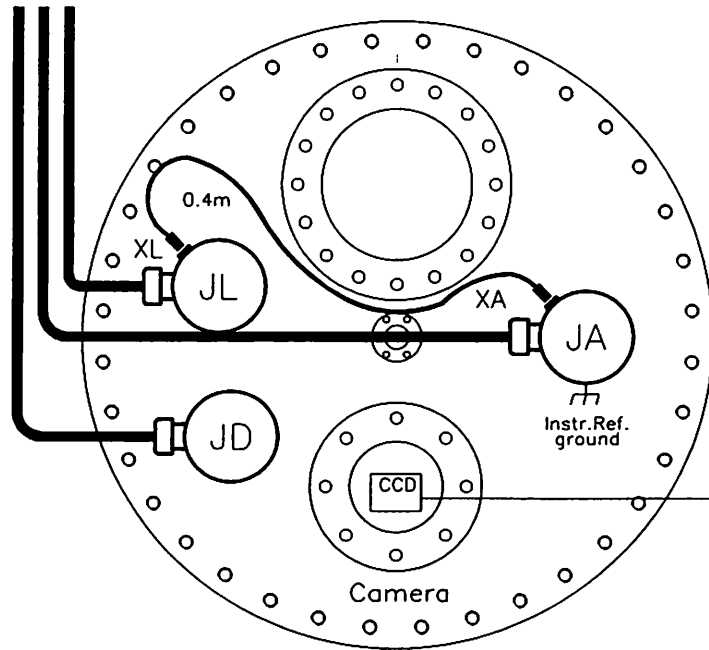
Rev	Change description	Sign.	Date



SES100
BLOCK DIAGRAM
HV CIRCUIT LOW PASS ENERGY
DRAWING

Project No. 1ES220	Drawing No. h1-3A.dwg	
Design Cornelis Gortzak	Approved XX	Issue X
Date 2006-12-20	Revision X	Continues X

High voltage cables
to high voltage cabinet.

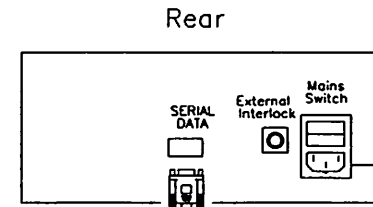


Upper front part for
low pass energy

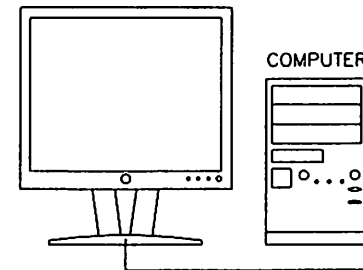
		LV2	LV4			
AV+	AV-	Sph1	Sph0			LV5

Lower front part

FocOS	LBias	LV1	LV3	MCP	SCREEN	DRET
PS	AVscan	LD Left	LDup	DetIS	XXXXXXXXXXXXXXXXXXXX	XXXXXXXXXXXXXXXXXXXX



Firewire cable



200-240V~
50/60 Hz

This document must not be copied without our written permission and the contents thereof must not be imparted to a third part nor be used for any unauthorized purpose. Controvention will be prosecuted.

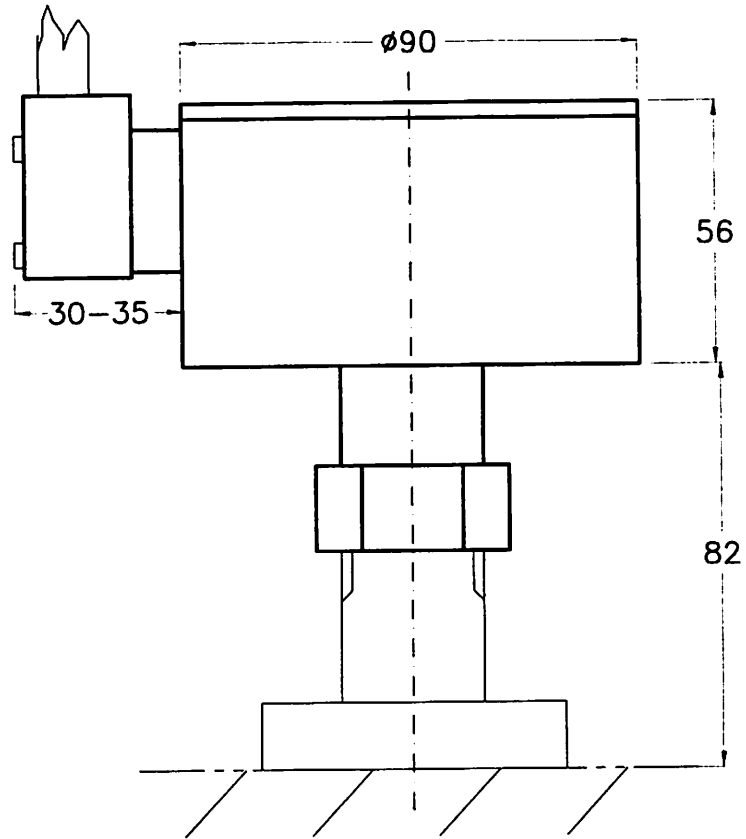
Rev.	Change description	Sign.	Date
------	--------------------	-------	------



SES100
CABLING
DESCRIPTION
DRAWING

Project No. 1ES220	Drawing No. h2-1a.dwg	
Design Cornelis Gortzak	Approved XX	Issue X
Date 2006-12-20	Revision X	Continues X

SIDE VIEW
JL,JA,JD



7-pole connector

units:(mm)

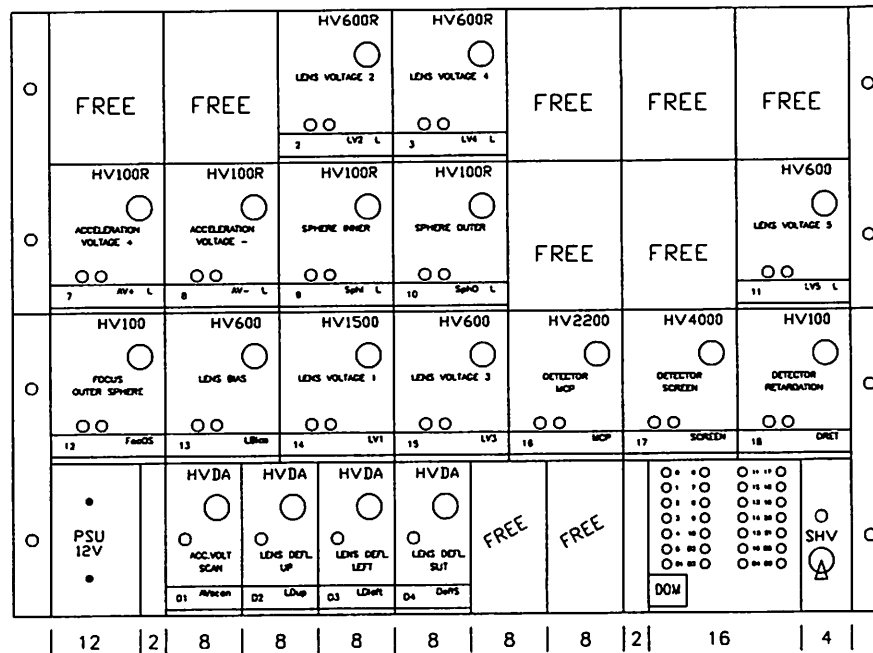
This document must not be copied without our written permission and the contents thereof must not be imparted to a third party nor be used for any unauthorized purpose. Controvention will be prosecuted.

Rev	Change description	Sign.	Date



SES100
LAYOUT
JUNCTION BOXES
DRAWING

Project No. 1ES220	Drawing No. h3-1a.dwg	
Design Cornelis Gortzak	Approved XX	Issue X
Date 2006-12-20	Revision X	Continues X



This document must not be copied without our written permission and the contents thereof must not be imparted to a third party nor be used for any unauthorized purpose. Controvention will be prosecuted.

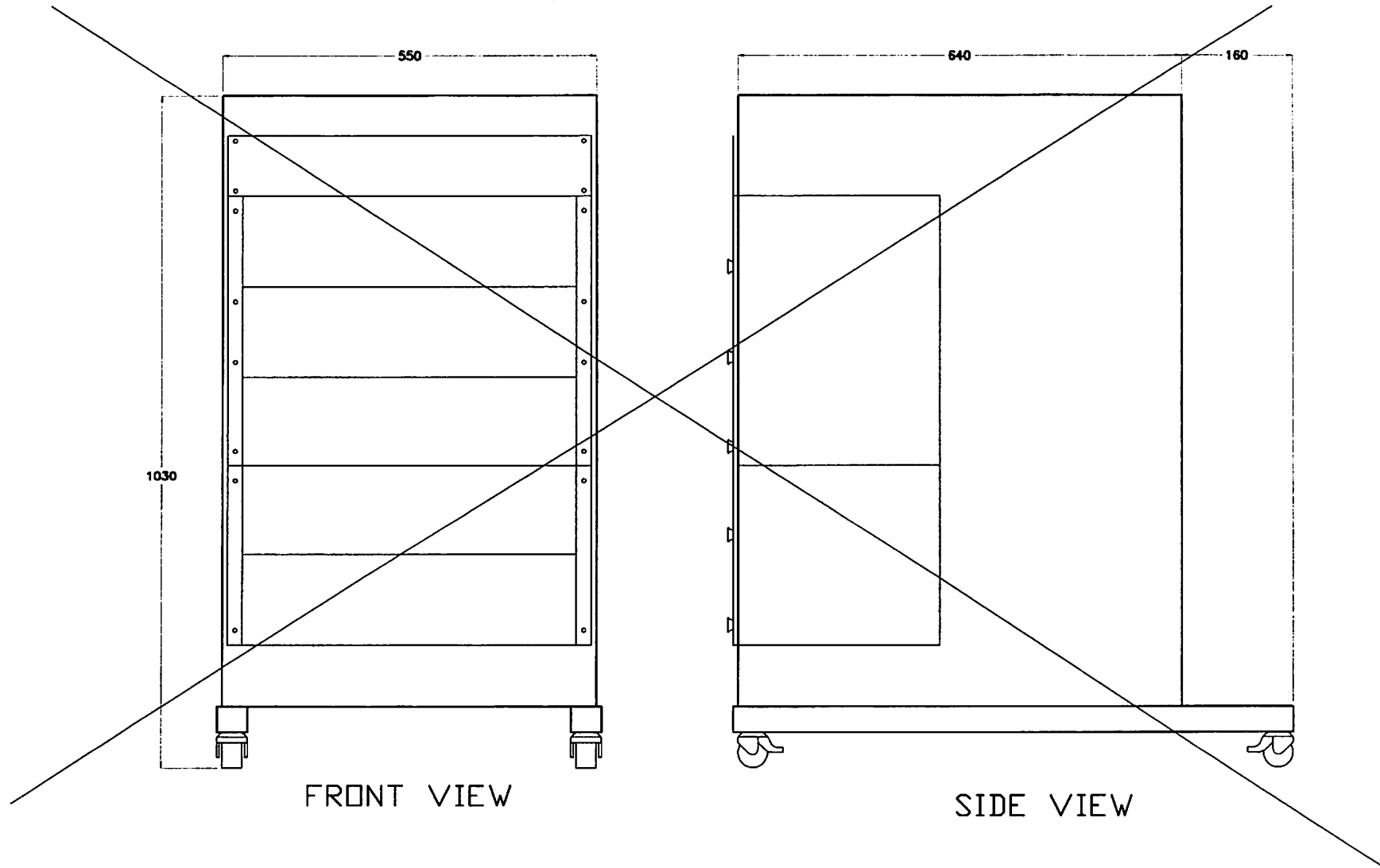
Rev.	Change description	Sign.	Date



SES100
LAYOUT
RACK CARDS
DRAWING

Project No. 1ES220	Drawing No. h3-2a.dwg	
Design Cornelis Gortzak	Approved XX	Issue X
Date 2007-01-11	Revision X	Continues X

????



Units in mm

This document must not be copied without our written permission and the contents thereof must not be imparted to a third part nor be used for any unauthorized purpose. Contravention will be prosecuted.

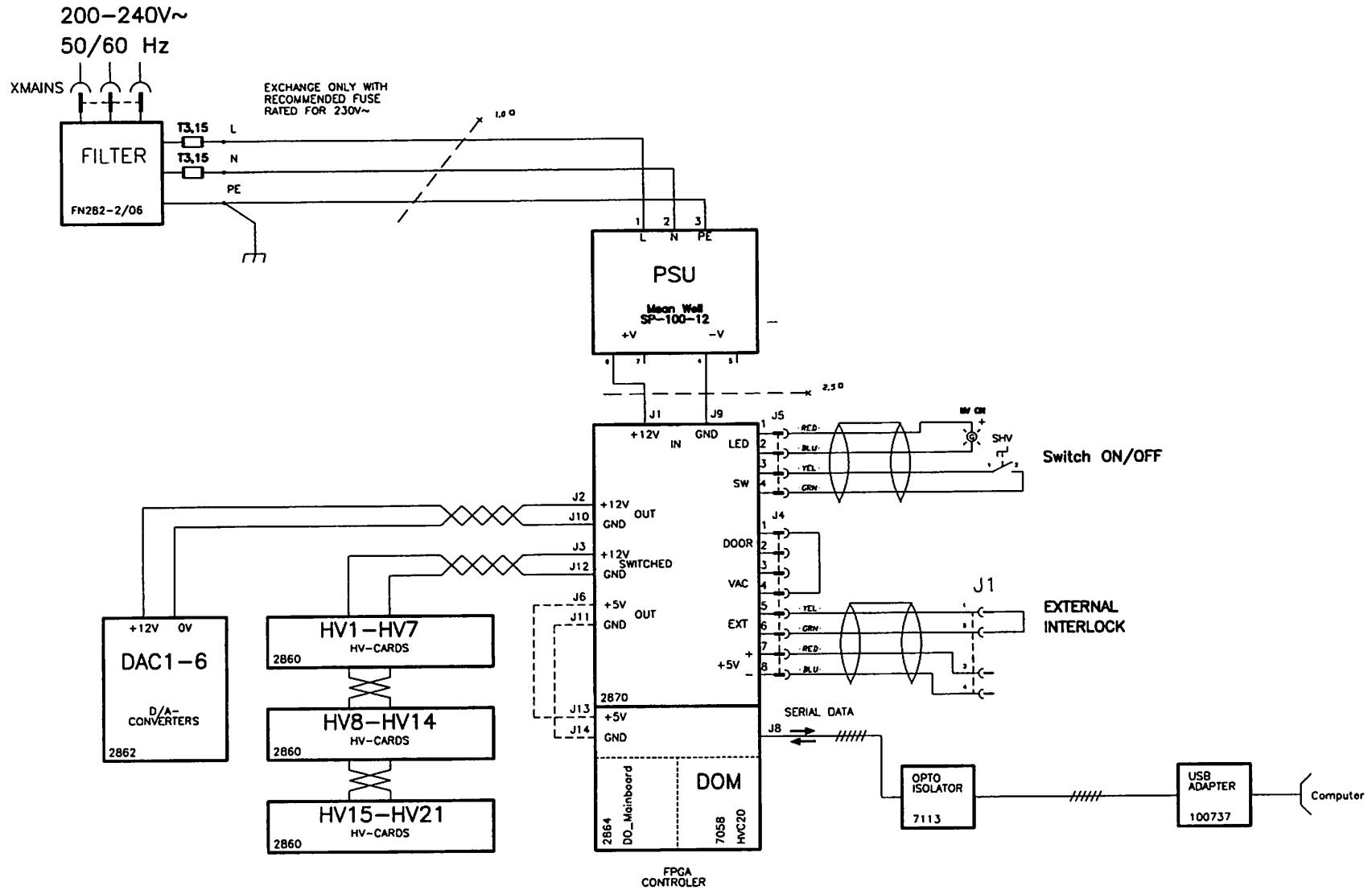
Rev.	Change description	Sign.	Date



SES100
LAYOUT
RACK SIZE
DRAWING

Project No.	Drawing No.	
1ES220	h3-3a.dwg	
Design	Approved	Issue
Cornelis Gortzak	XX	X
Date	Revision	Continues
2006-12-15	X	X

+A1



This document must not be copied without our written permission and the contents thereof must not be imported to a third part nor be used for any unauthorized purpose. Contravention will be prosecuted.

Rev.	Change description	Sign.	Date



SES100
CIRCUIT DIAGRAM
MAINS
DRAWING

Project No.
1ES220

Drawing No.
h4-1a.dwg

Design
CG

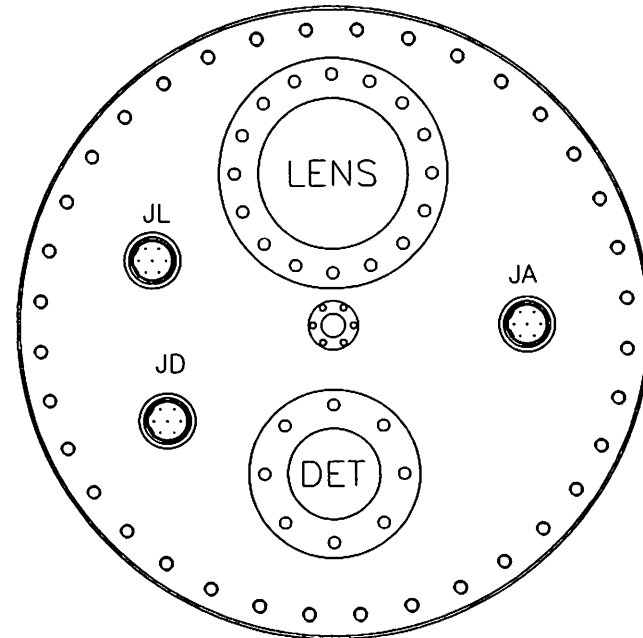
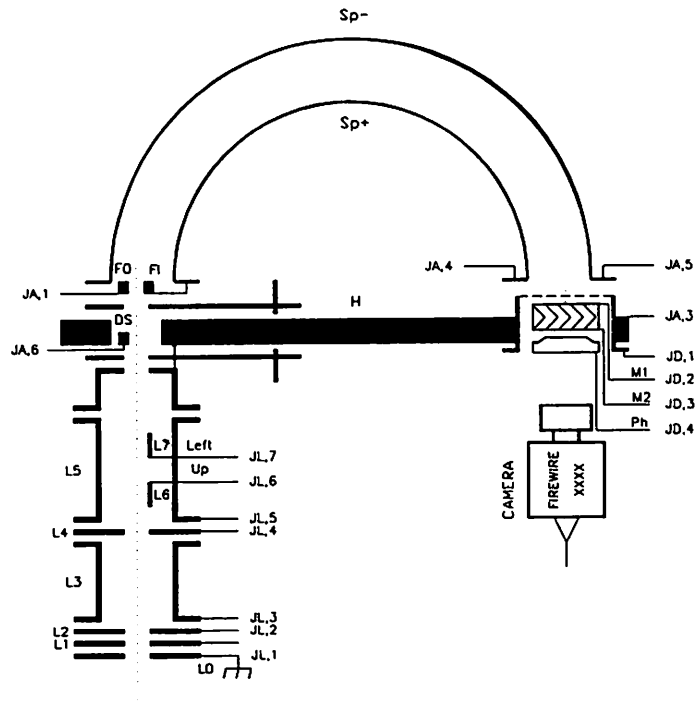
Approved
XX

Issue
X

Date
2006-12-20

Revision
X

Continues
X



This document must not be copied without our written permission and the contents thereof must not be imparted to a third party nor be used for any unauthorized purpose. Contravention will be prosecuted.

Rev	Change description	Sign	Date



SES100
WIRING DIAGRAM
INSTRUMENT
DRAWING

Project No. 1ES220	Drawing No. h5-1a.dwg	
Design Cornelis Gortzak	Approved XX	Issue X
Date 2006-12-20	Revision X	Continues X